

Radiant Source Model Report

Source Model Information

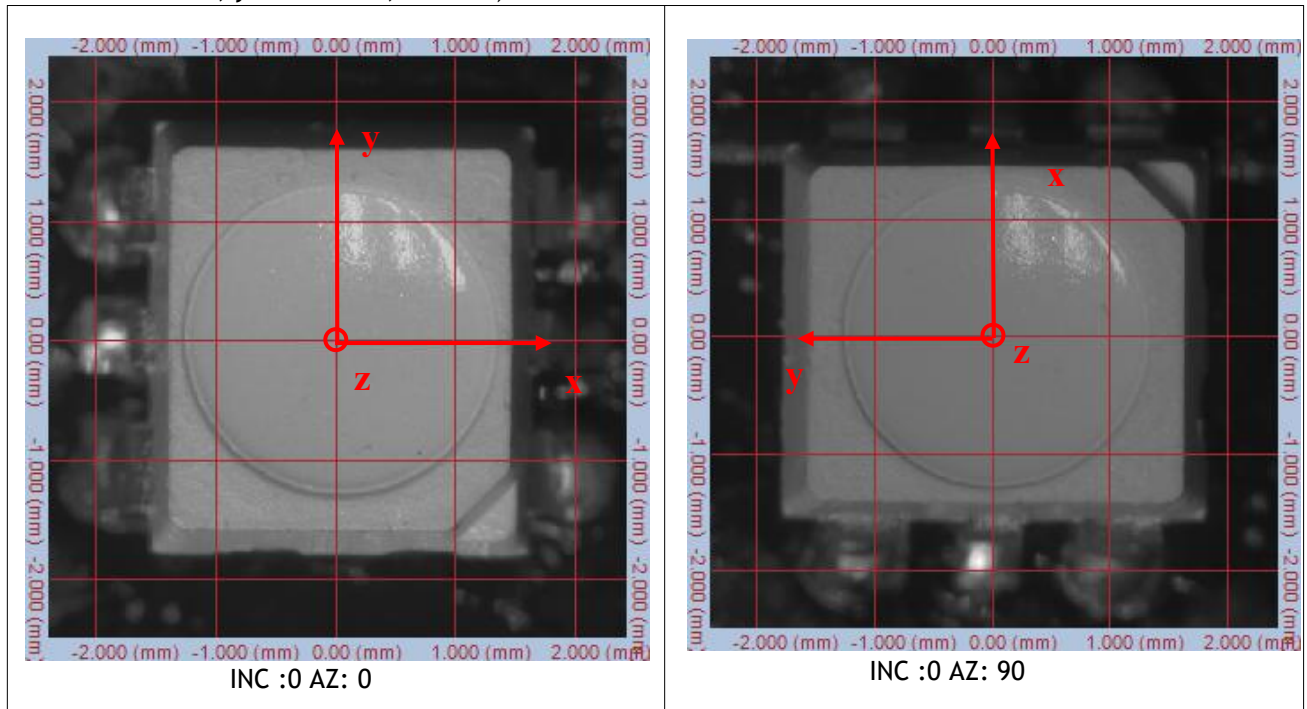
Source Description Product ID: Source Type: LED Model Number: T35-WYSE-A9 Serial Number: Manufacturer: Seoul semiconductor Hours Burned: 30min M.Rated Watts (E-in):M.Rated Lumens: measurement Type: Photometric SIG Orientation: SIG400: VerticalVoltage Source Description Notes:	Scan Environment Applied (volts): 3.322V Current Applied (amps): 150mA Watts Measured: 0.50W Cx: 0.5766 Cy: 0.4183 ϕ :44 lm Scan Results Date Scanned: 6-Feb-2021 Number of Measurements: 2736 Azimuth Range: 0 to 90, Step 5 Polar Range: 0 to 360, Step 5 Rated Lumens/Watts:88 lm/W
---	---

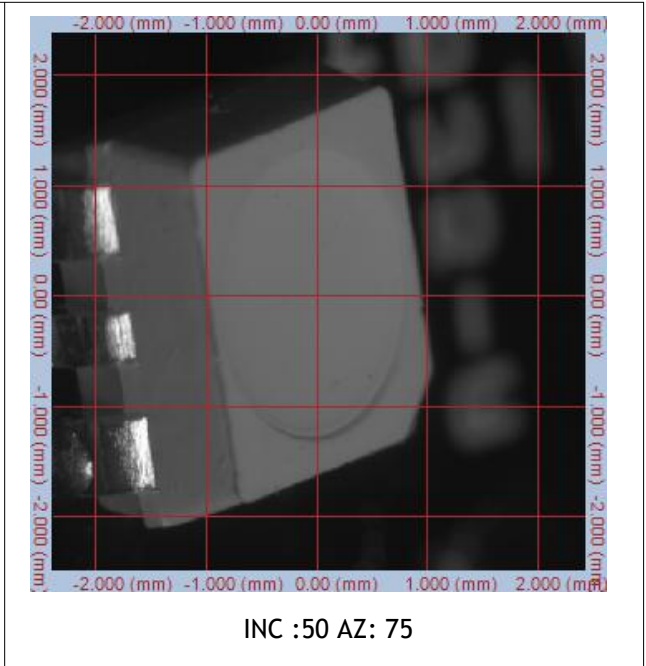
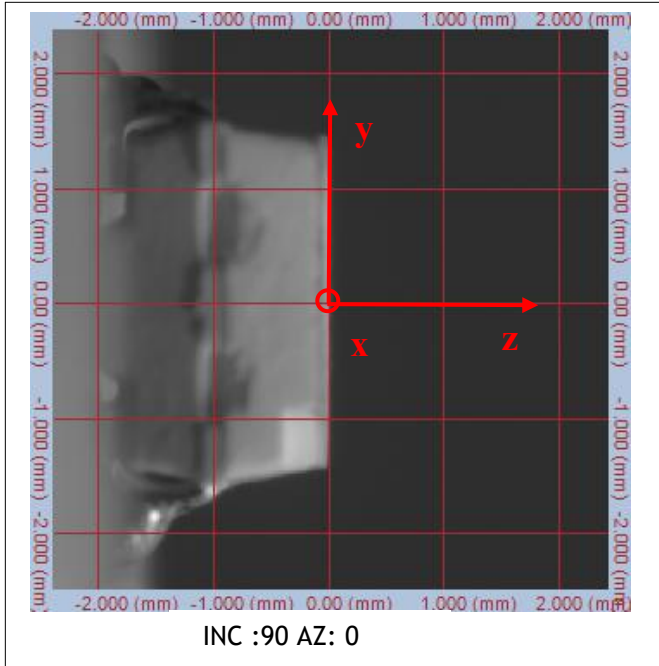
Alignment Images

Test Origin Coordinate Chart

(The deviation of the position of the luminescent center relative to the center of the bracket.)

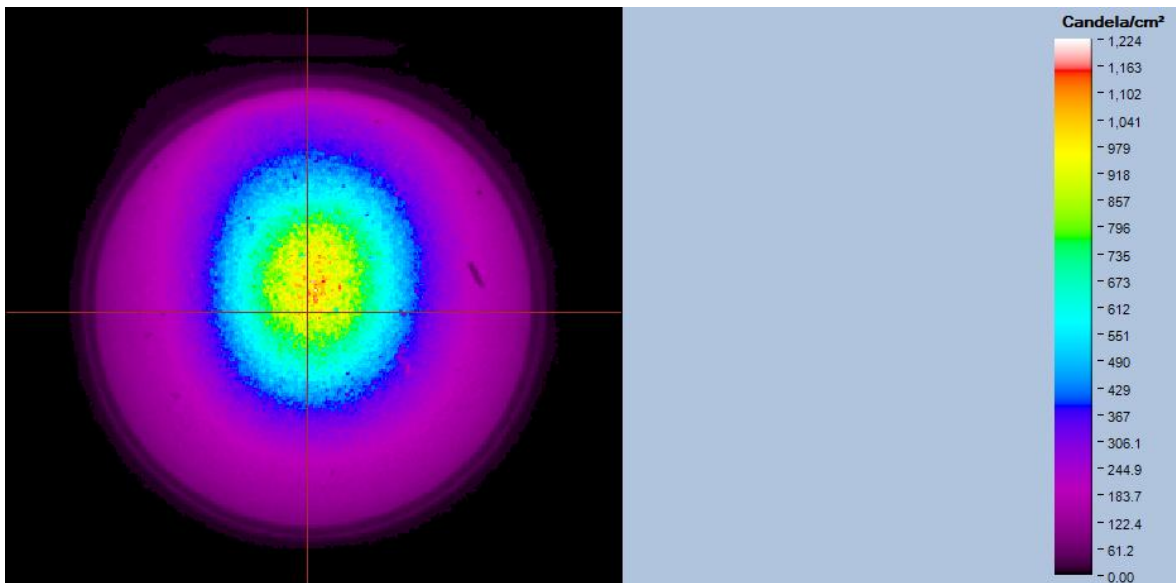
x= -0.0265mm, y=-0.011 mm, z= 0mm)



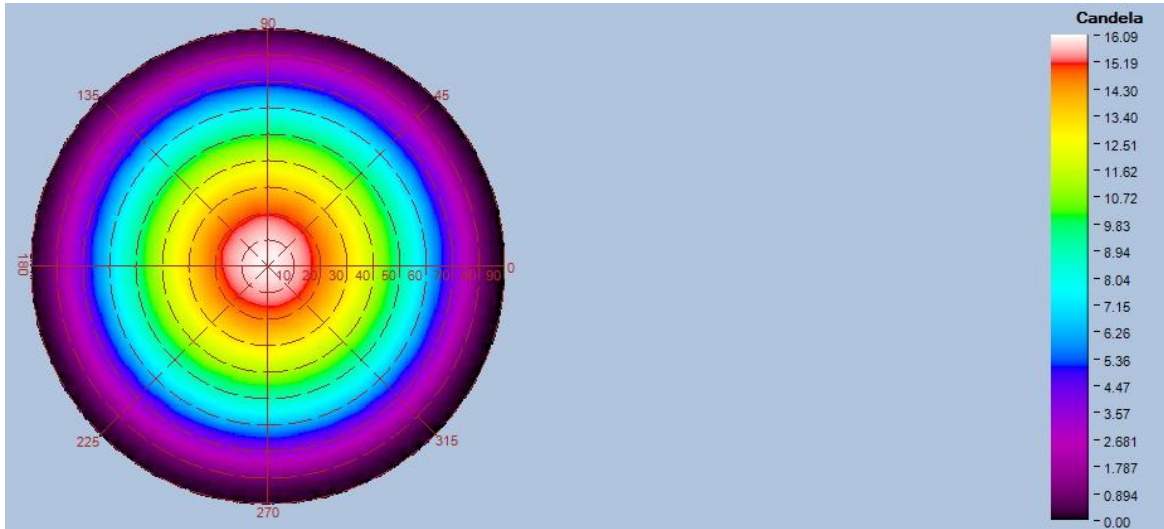


Summary of Test Results

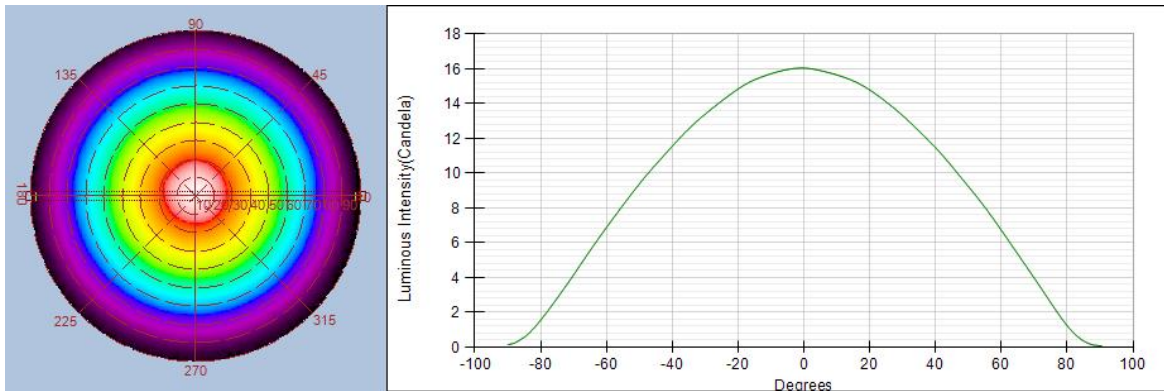
Top-View Luminance Image



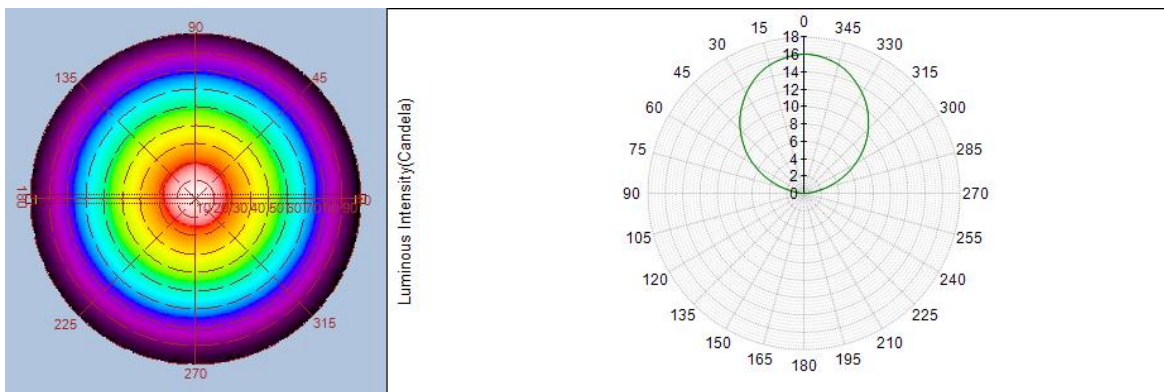
Intensity(traced to infinity)



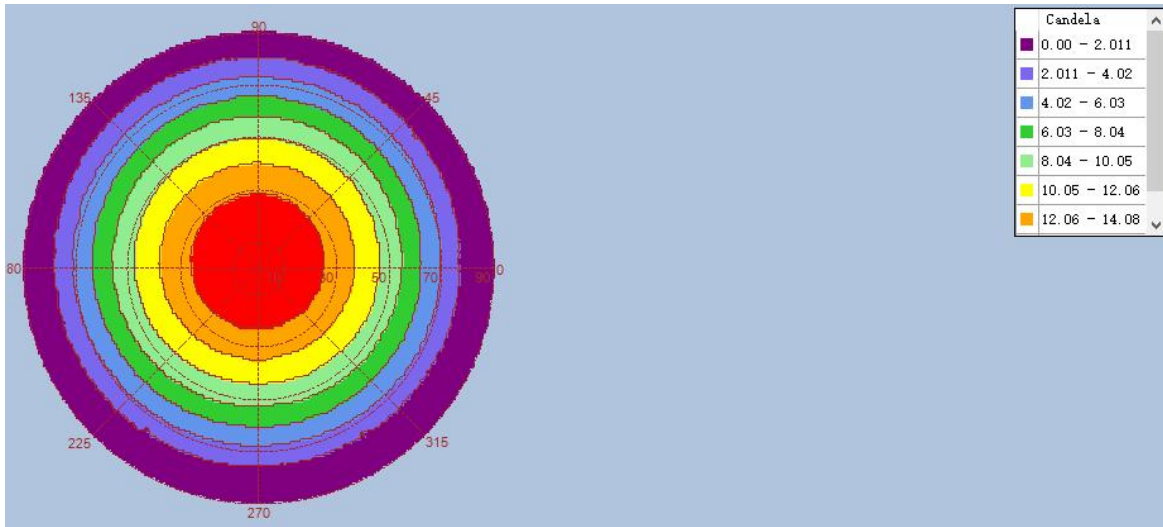
Intensity(traced to infinity) Cross Section Luminous Intensity(Candela)



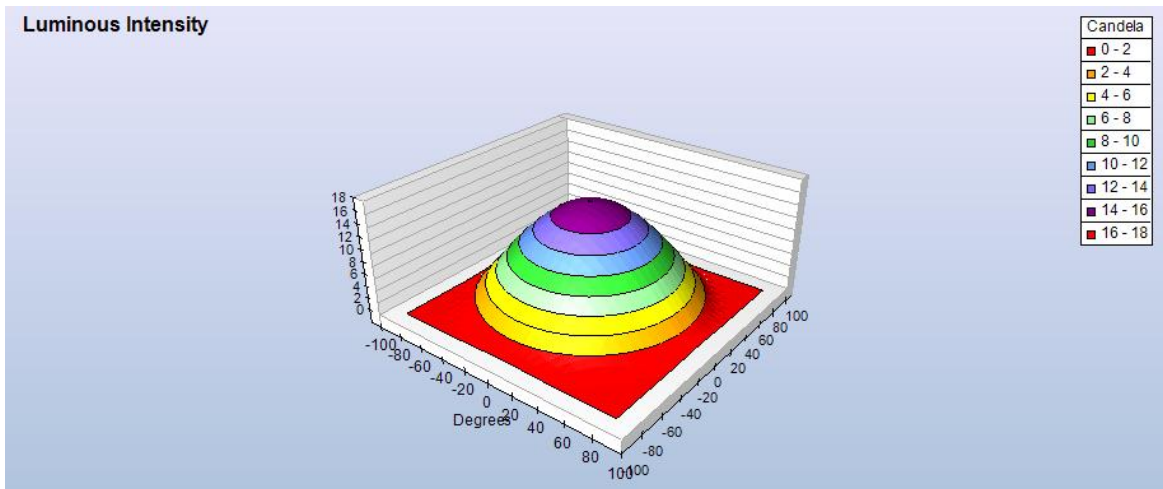
Intensity(traced to infinity) Cross Section Luminous Intensity(Candela)



Intensity(traced to infinity) Iso-Plot



Intensity(traced to infinity) 3D Iso-Plot



-END-