

# Radiant Source Model Report

## Source Model Information

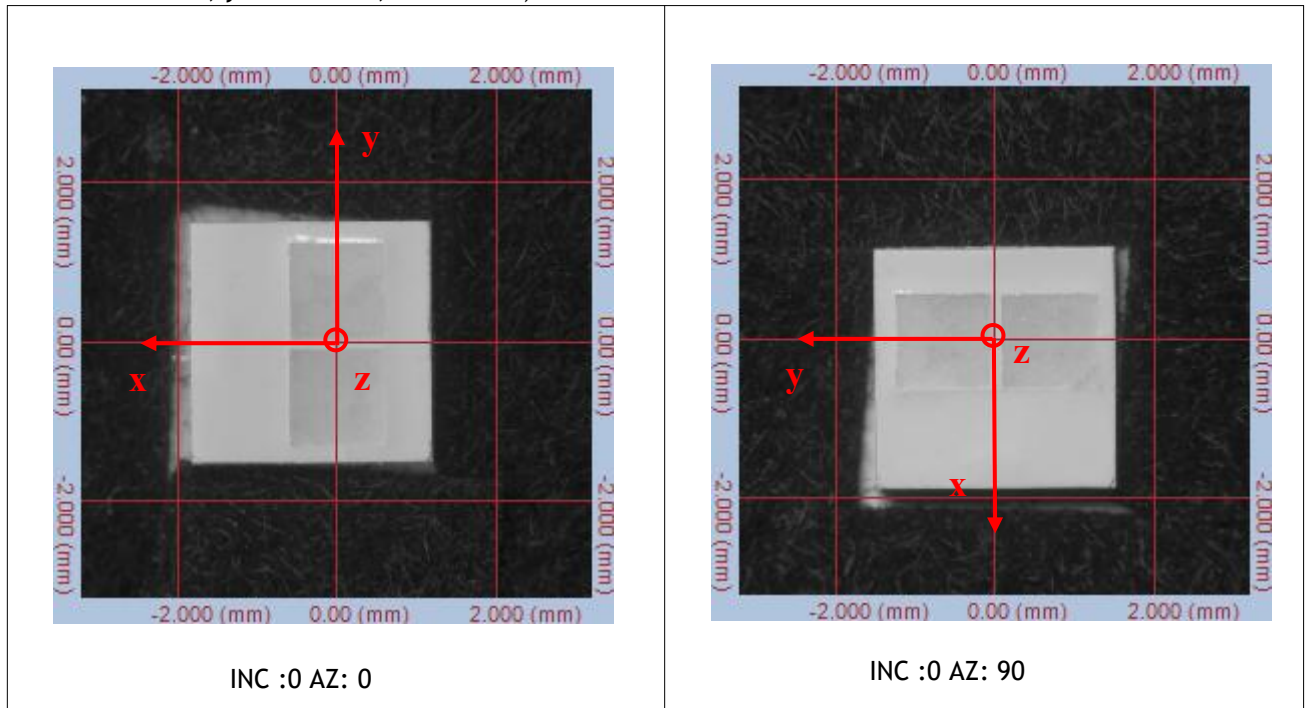
<b>Source Description</b> Product ID: Source Type: LED Model Number: RF-A3H22-W60P Serial Number: Manufacturer: Seoul semiconductor Hours Burned: 30min M.Rated Watts (E-in):M.Rated Lumens: measurement Type: Photometric SIG Orientation: SIG400: VerticalVoltage Source Description Notes:	<b>Scan Environment</b> Applied (volts): 6.4V Current Applied (amps): 1000mA Watts Measured: 6.4W Cx: 0.0.3243 Cy: 0.3374 $\phi$ : 853.0 lm  <b>Scan Results</b> Date Scanned: 05-Nov-2023 Number of Measurements: 2736 Azimuth Range: 0 to 90, Step 5 Polar Range: 0 to 360, Step 5 Rated Lumens/Watts:133.2 lm/W
---	---

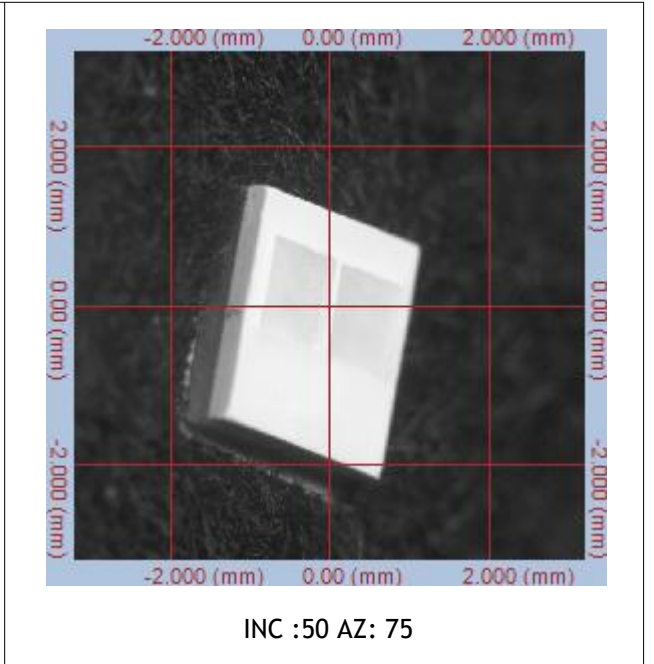
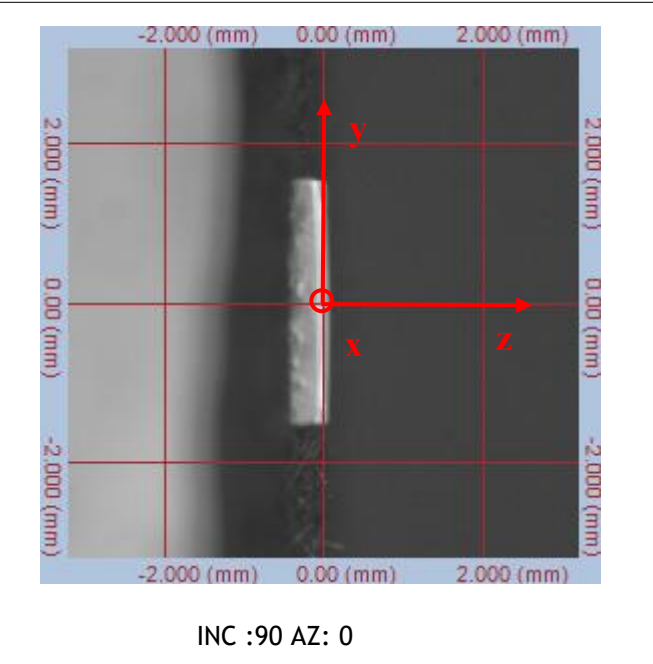
## Alignment Images

Test Origin Coordinate Chart

(The deviation of the position of the luminescent center relative to the center of the bracket.

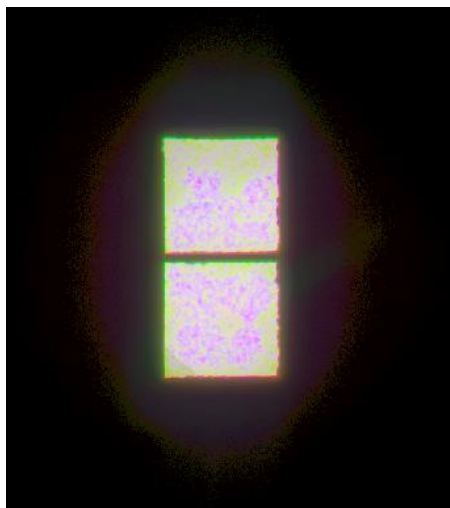
x= 0.3435mm, y=-0.005 mm, z= 0.00mm)



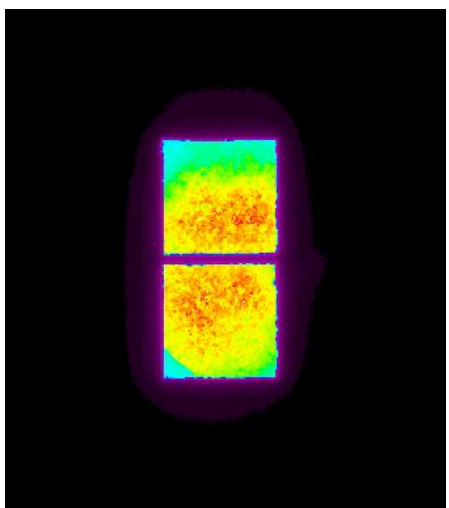


### Summary of Test Results

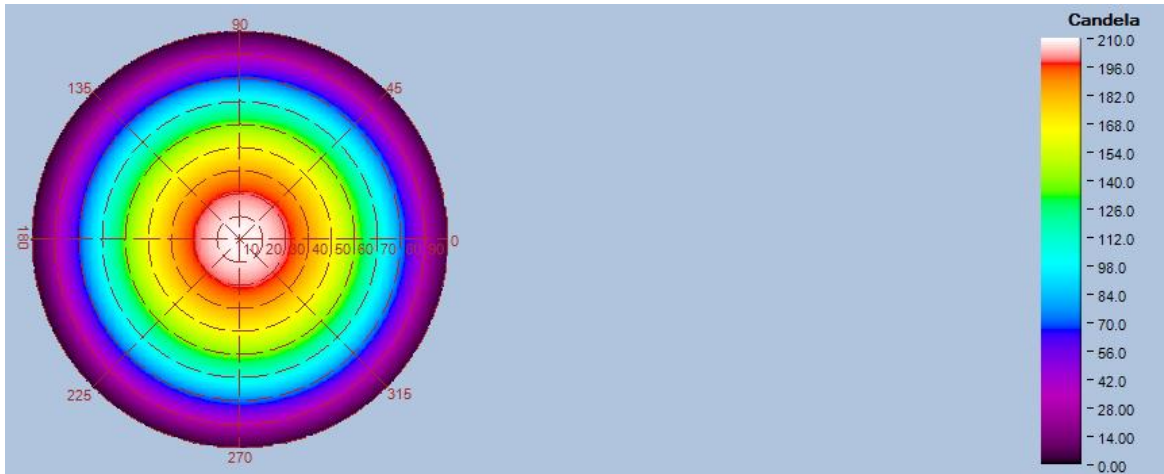
Top-View True Color Image



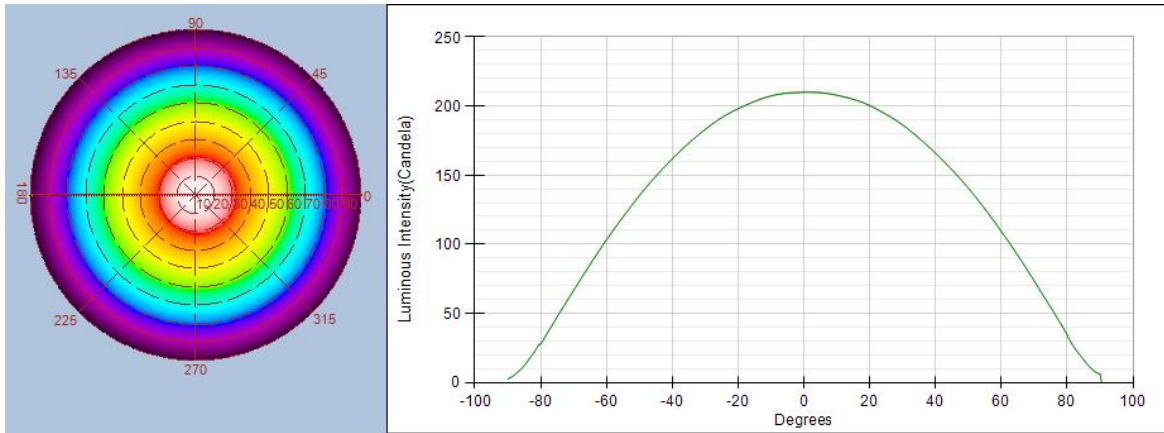
Top-View Luminance Image



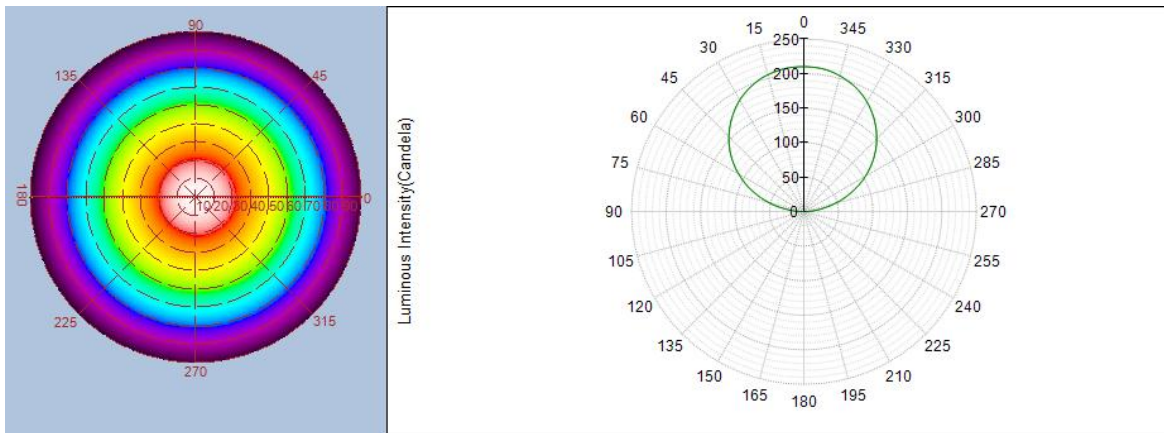
**Near Field Radar Bitmap**



**Intensity(traced to infinity) Cross Section Luminous Intensity(Candela)**

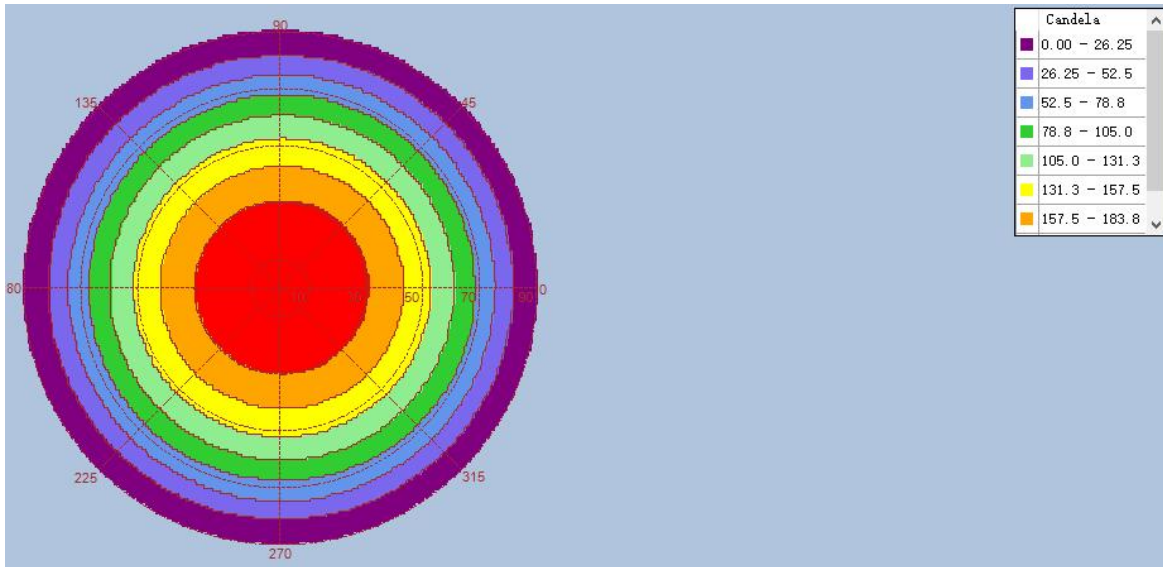


**Intensity(traced to infinity) Cross Section Luminous Intensity(Candela)**

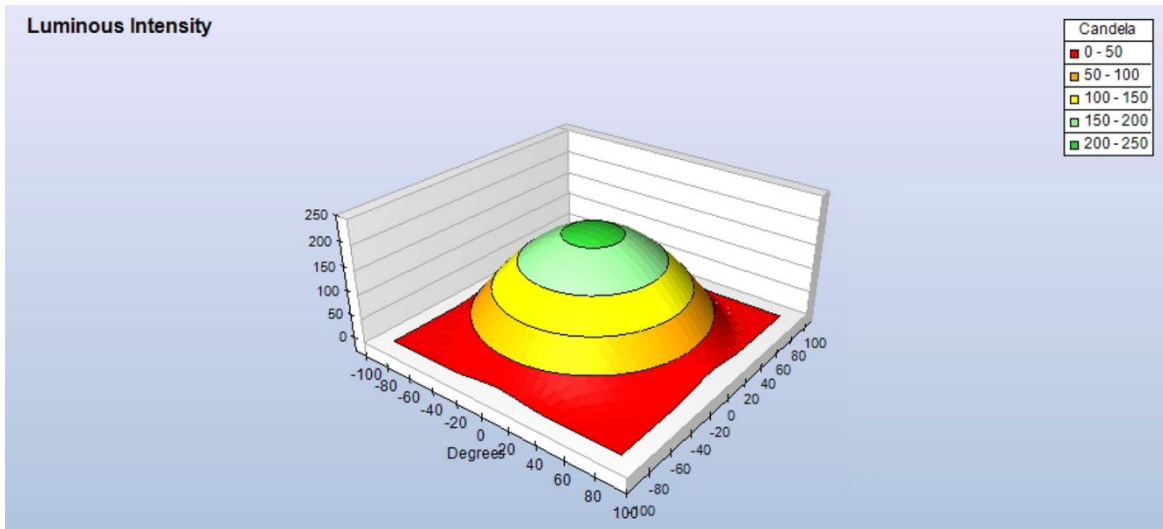


**Intensity(traced to infinity) Iso-Plot**





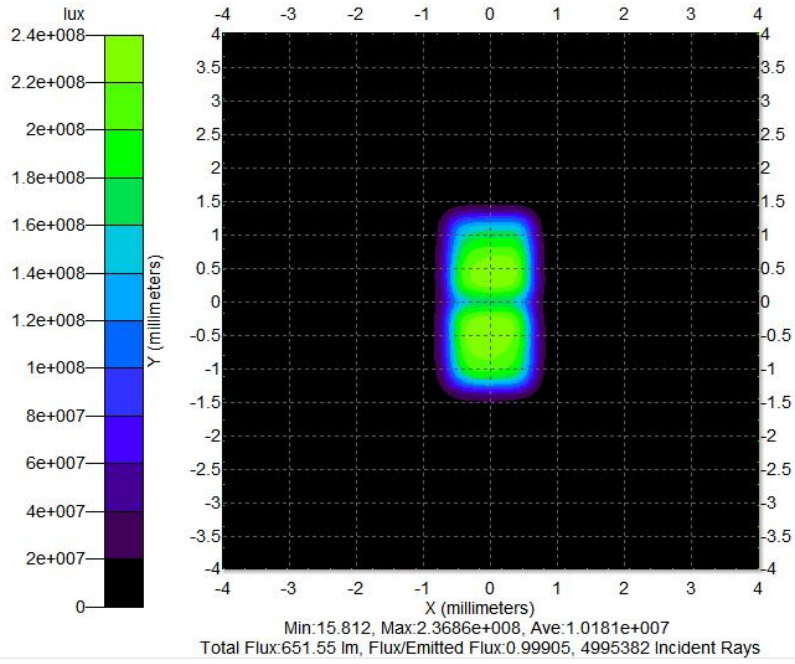
**Intensity(traced to infinity) 3D Iso-Plot**



**Illuminance Distribution Diagram**

Data Processing Software	Prosource10.2.7	Simulation Software	TracePro 2020
Number of Rays	1000,000	Receiver	8mm*8mm Distance :0.1mm
Smoothness of Illuminance Distribution Curve	50	Smoothness of Photometric Curve	20

Total - Illuminance Map for Incident Flux  
Block 1 Surface 1 Global Coordinates



Polar Candela Distribution Plot  
Using Missed Rays

