

Radiant Source Model Report

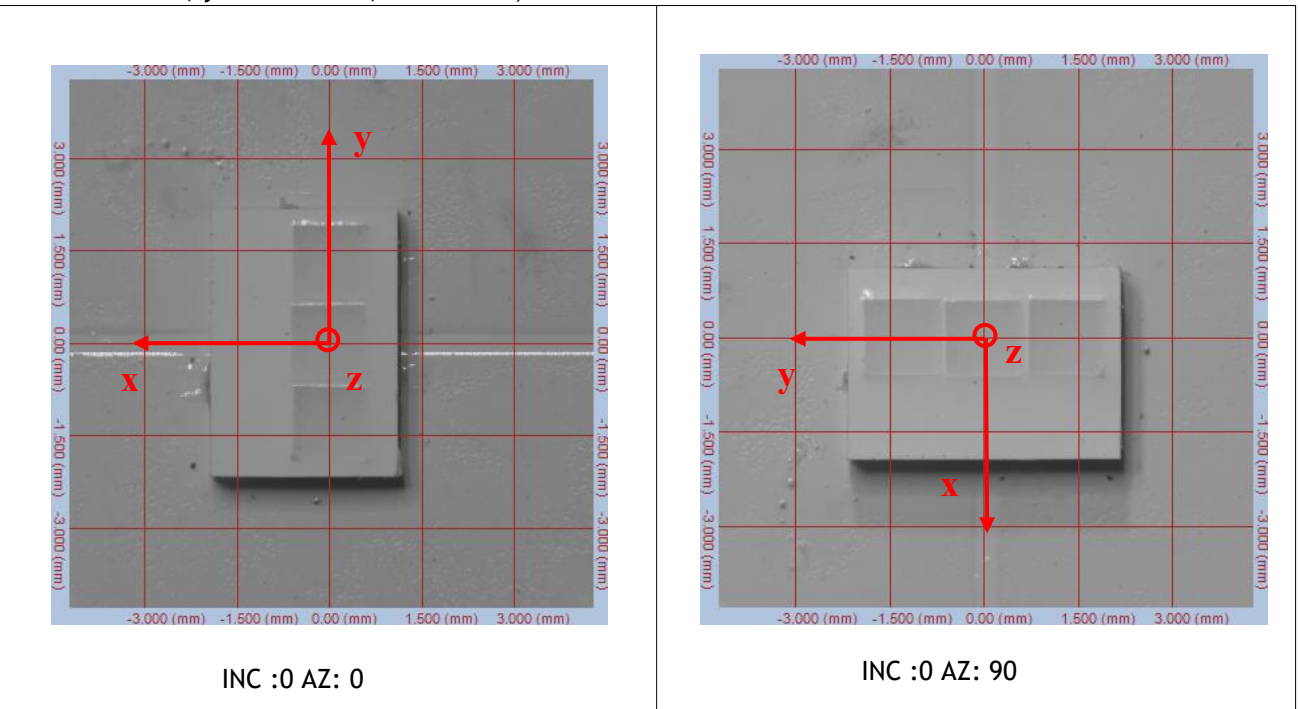
Source Model Information

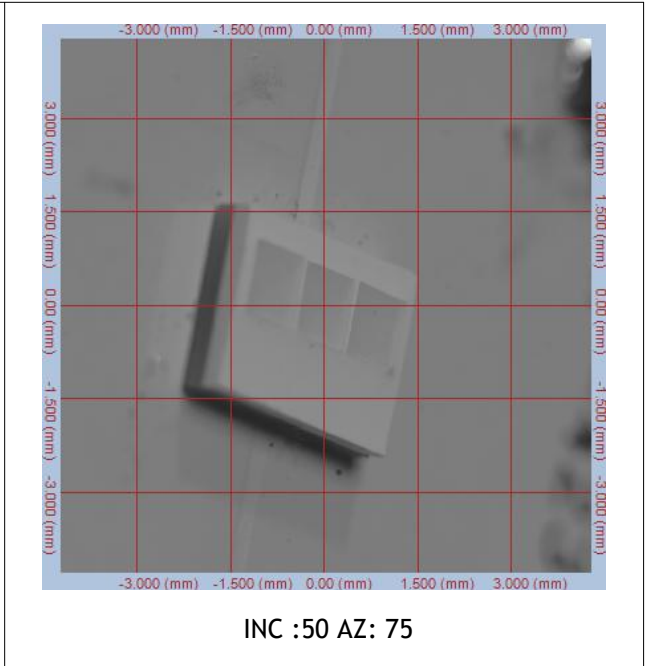
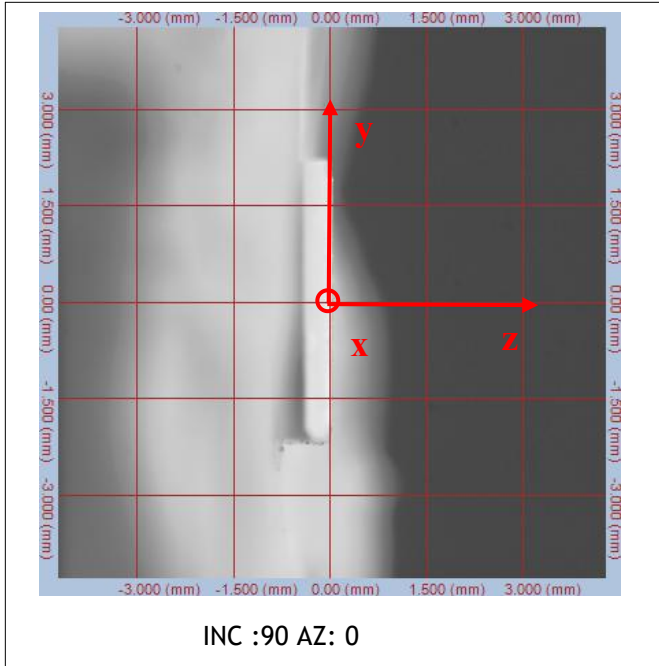
Source Description Product ID: Source Type: LED Model Number: RF-A3H30-W60P Serial Number: Manufacturer: Seoul semiconductor Hours Burned: 30min M.Rated Watts (E-in):M.Rated Lumens: measurement Type: Photometric SIG Orientation: SIG400: VerticalVoltage Source Description Notes:	Scan Environment Applied (volts): 9.5V Current Applied (amps): 1000mA Watts Measured: 9.5W Cx: 0.3277 Cy: 0.3494 ϕ : 1440 lm Scan Results Date Scanned: 13-July-2023 Number of Measurements: 2736 Azimuth Range: 0 to 90, Step 5 Polar Range: 0 to 360, Step 5 Rated Lumens/Watts:151.6 lm/W
---	---

Alignment Images

(The deviation of the position of the luminescent center relative to the center of the bracket.

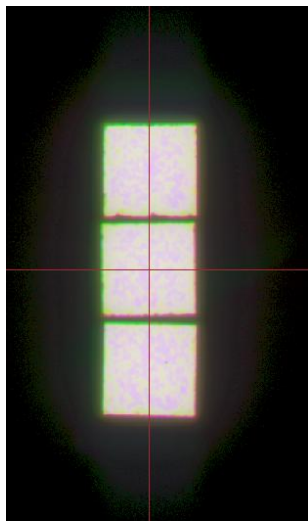
x= 0.415mm, y=-0.0105 mm, z= 0.00mm)



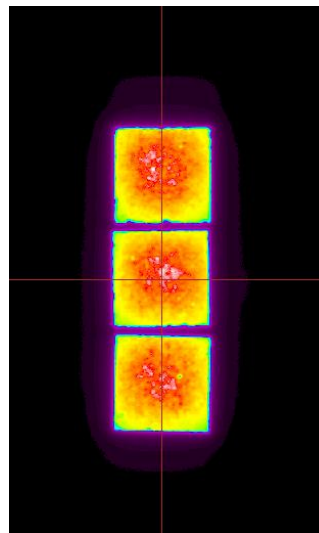


Summary of Test Results

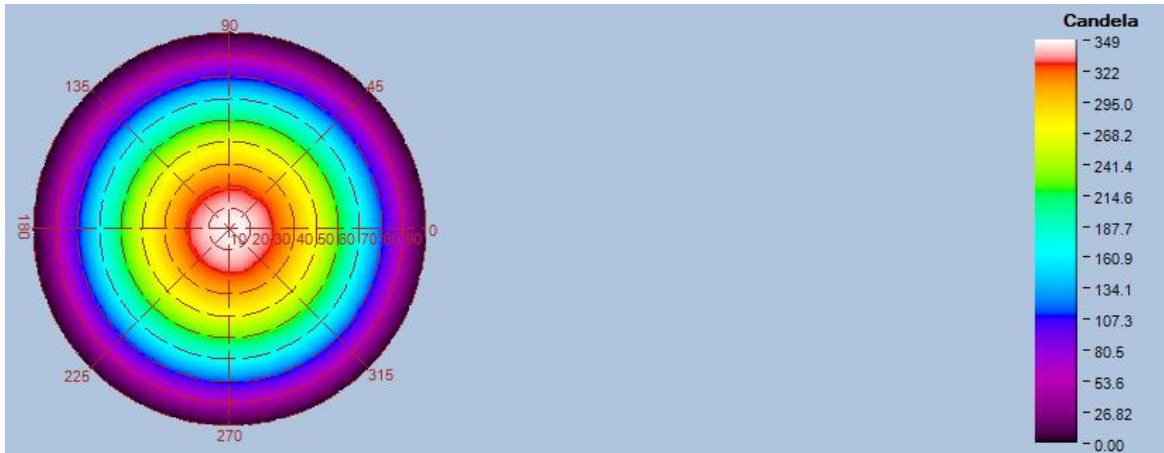
Top-View True Color Image



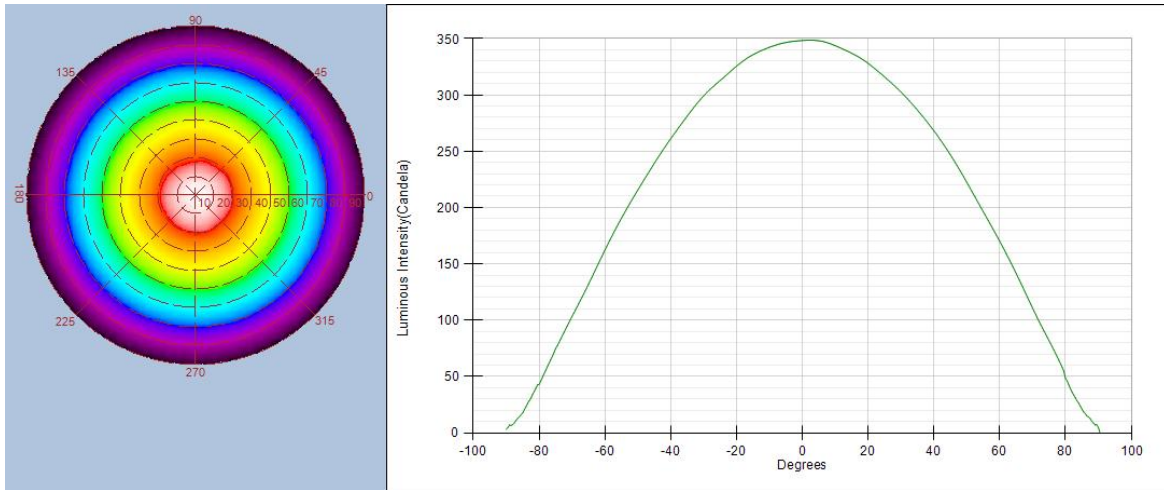
Top-View Luminance Image



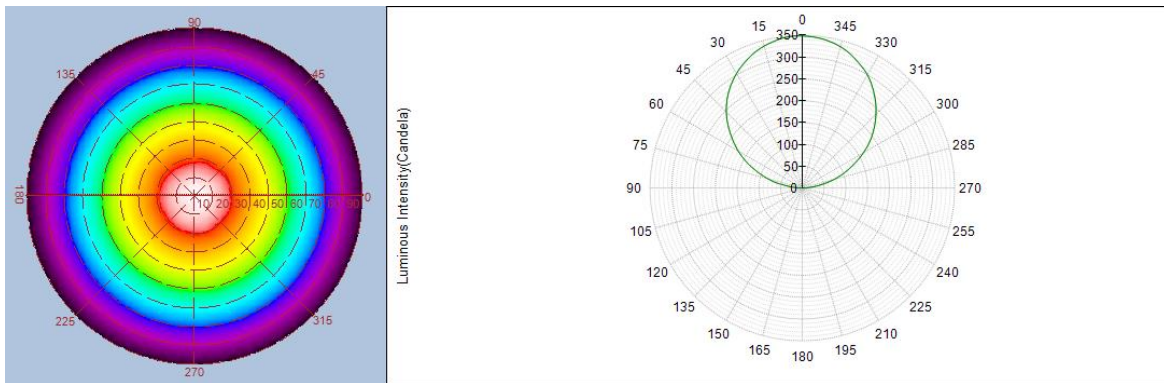
Near Field Radar Bitmap



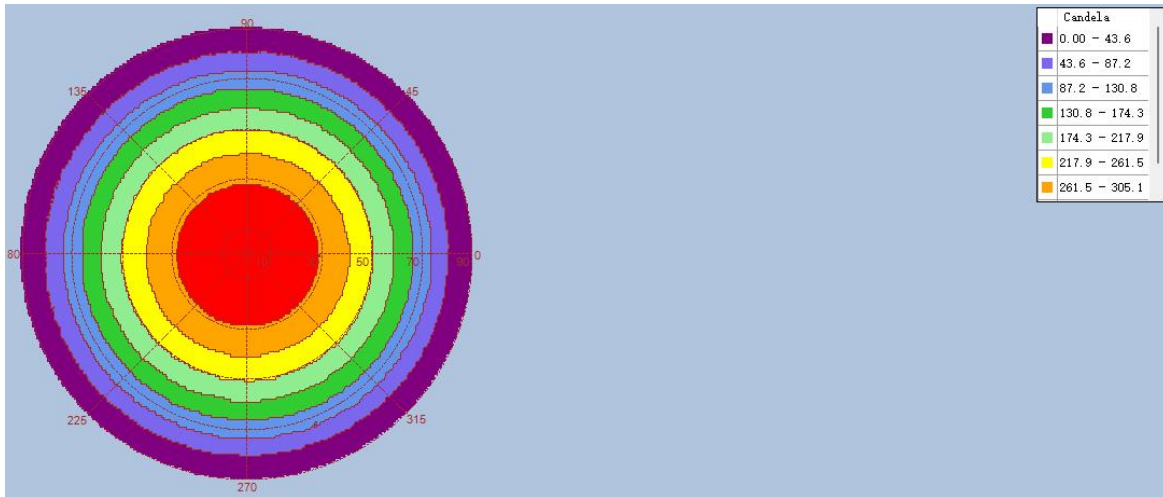
Intensity(traced to infinity) Cross Section Luminous Intensity(Candela)



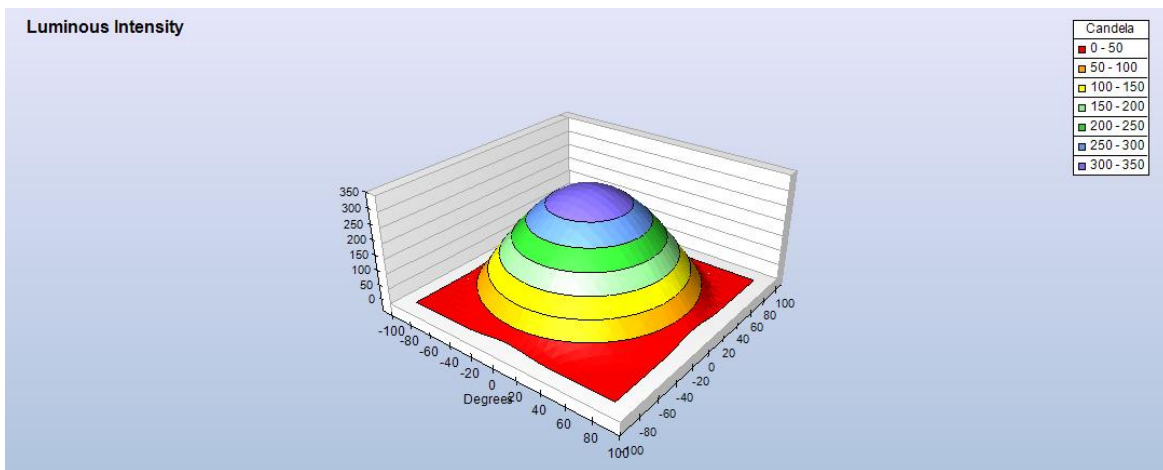
Intensity(traced to infinity) Cross Section Luminous Intensity(Candela)



Intensity(traced to infinity) Iso-Plot



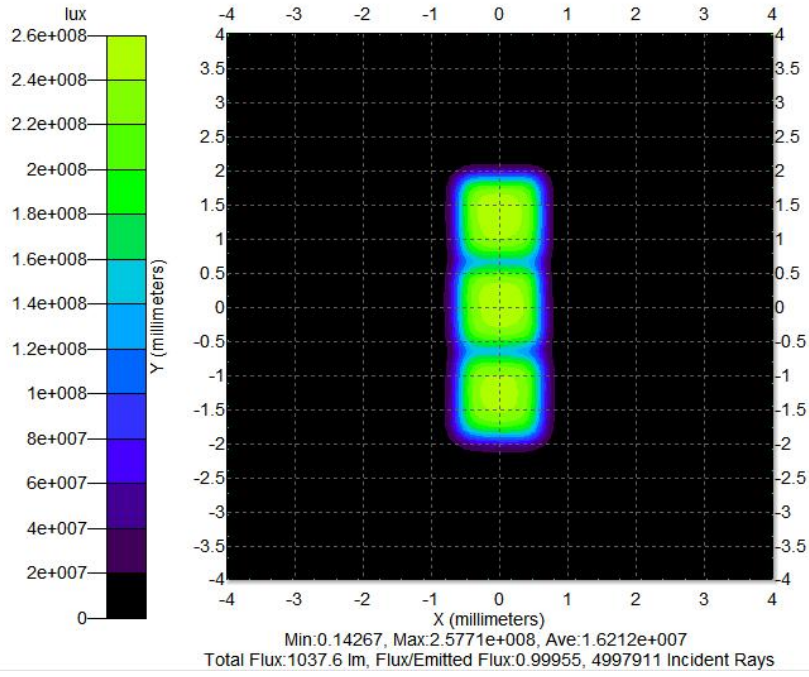
Intensity(traced to infinity) 3D Iso-Plot



Illuminance Distribution Diagram

Data Processing Software	Prosource10.2.7	Simulation Software	TracePro 2020
Number of Rays	1000,000	Receiver	8mm*8mm Distance :0.1mm
Smoothness of Illuminance Distribution Curve	50	Smoothness of Photometric Curve	20

Total - Illuminance Map for Incident Flux
Block 1 Surface 1 Global Coordinates



Polar Candela Distribution Plot
Using Missed Rays

